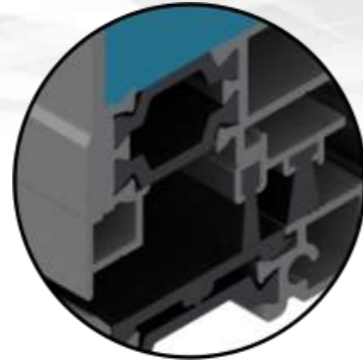


TLS50 Smart

With thermo-Insulating profile



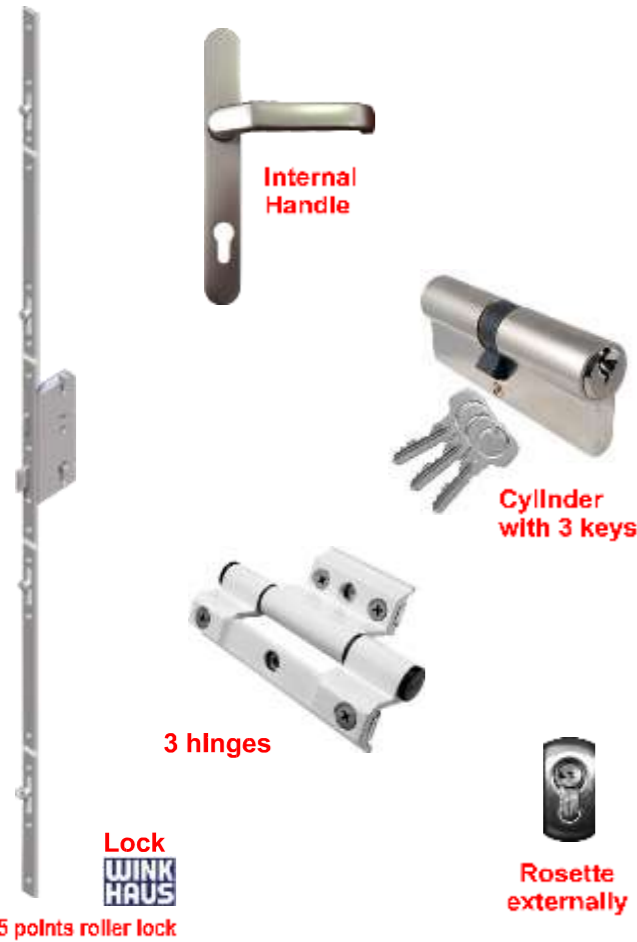
Thermal
transmittance
U_d = 1,3

TEHNI
PANTELOS GROUP OF COMPANIES

TLS50 Smart



Specifications - Standard Accessories



Internal
Handle

Cylinder
with 3 keys

3 hinges

Lock
WINK
HAUS

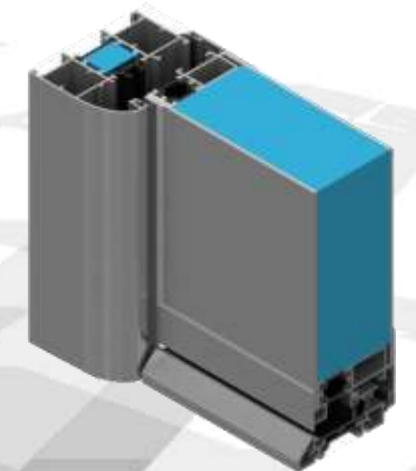
5 points roller lock

Rosette
externally

Profile Dimensions (Frame + Sash)	75 mm
Internal aluminum Sheet thickness	15 mm
External aluminum Sheet thickness	15 mm
CNC engraving Internally	Yes
IN X decoratives Internally	No
Panel thickness	50 mm
Minimum Door height	1920 mm
Minimum Door width	900 mm
Maximum Door height	2200 mm
Maximum Door width	1100 mm
Panel Glass	Double / Triplex 3+3 4 mm
Skylight or Sidelight glass	Double / Triplex 3+3 4 mm

TLS
Entrance Door System

The smart door system

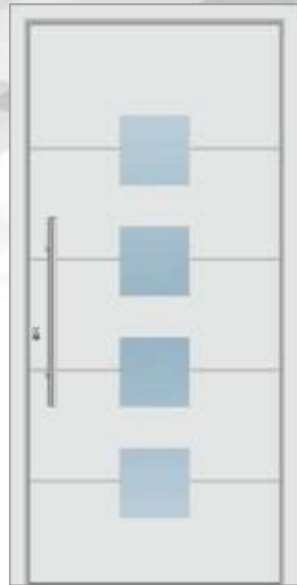


TEHNI
PANTELOS GROUP OF COMPANIES

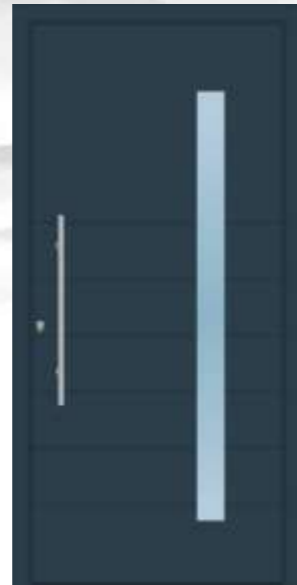
www.pantelos.gr market@pantelos.gr



1150 Glass and CNC designs



1160 Glass and CNC designs



1175 Glass and CNC designs



1165 Glass and CNC designs



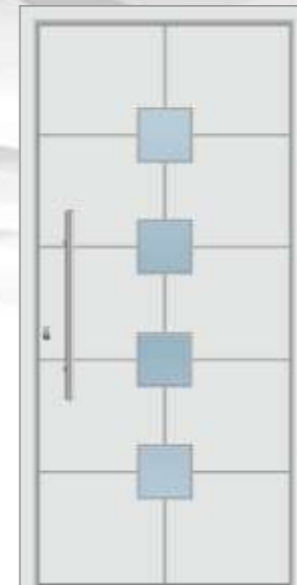
1180 Glass and CNC designs



1621 Glass and CNC designs



1717 Glass and CNC designs



1712 Glass and CNC designs



1732 Glass and CNC designs



1280 Glass and INOX



1285 Glass and INOX



1290 Glass and INOX



1295 Glass and INOX



1325 Glass and INOX



1361 Glass and INOX



1355 Glass and INOX



1363 Glass and INOX



1360 Glass and INOX



1364 Glass and INOX



1362 Glass and INOX



1365 Glass and INOX



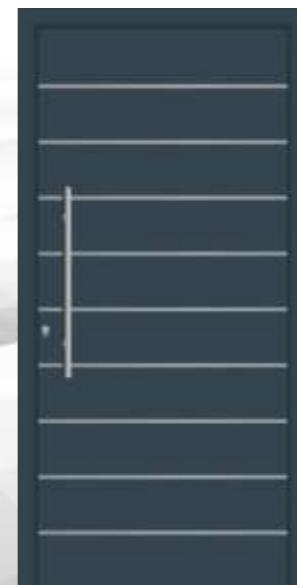
1366 Glass and INOX



1315 Three INOX stripes



1310 Four INOX stripes



1641 Nine INOX stripes



1651 Nine CNC lines



1654 Four CNC lines